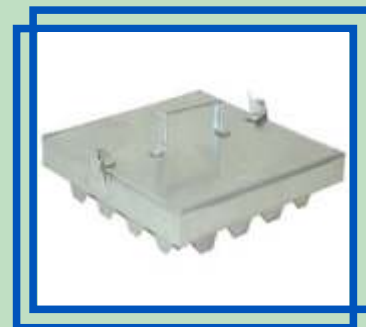


DVAC

DUCT VENTILATION AIR CONDITIONING Co. (W.L.L.)

Access Doors Catalogue



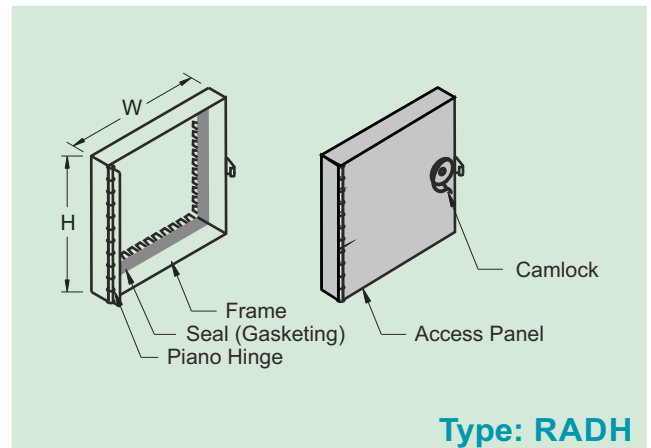
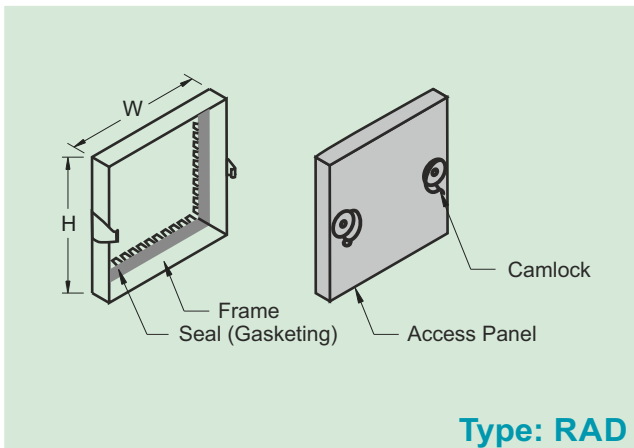
As per SMACNA (3rd Edition-2005)

Rectangular - Types: RAD & RADH



1- GENERAL

- A- The Access Door is designed to provide convenient access to the Duct for maintenance, inspection and resetting of Fire Dampers, Smoke Dampers, Volume Dampers, Motorized Volume Dampers, Filters, etc,...
- B- Service Opening provided in Air Ducts are to be adjacent for each damper, complying to NFPA 90A recommendations.
- C- Access Door opening is to be large enough to allow for maintenance and resetting the devices; sometimes it is necessary to get two arms inside the duct for any service required.



2- CONSTRUCTION

- Access Door shall be made of 22 Gauge Galvanized Steel L.F.Q. complying with ASTM A653, having G90 Coating Designation.
- Access Door Frame shall be made of 22 Gauge Galvanized Steel L.F.Q. complying with ASTM A653, having G90 Coating Designation.
- Double Skinned Panel, Internal Acoustic Insulation 25 or 50mm as per Duct Insulation is produced from strong Resilient Glass Fibers firmly bounded together with a Thermosetting Resin.
- The Gasket shall be applied on the frame for tightness and to prevent Leakage.
- Self Adhesive Sealed Gasket in Cross Linked Polyethylene with completely close cells, and one adhesive side attached to the frame to prevent leakage.
- If Access Door is requested with Piano Hinge, it will be fixed between Door and Frame by Spot Welding (Type RADH)
- GI Drawer Type Handle is Optional

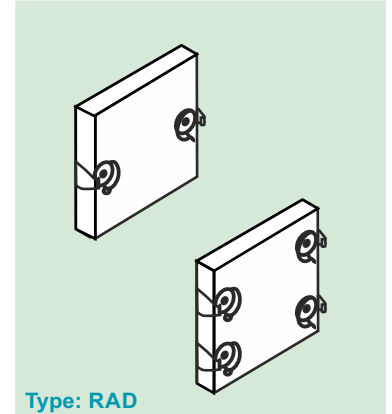
* Materials Used for Access Doors:

- Galvanized Steel: (Standard) L.F.Q. Complying with ASTM A653 & Having G90 Coating Designation.
- Stainless Steel: (Optional) Complying with ASTM A240M / A480M, Grade 304, 304L, 316 & 316L.

TECHNICAL DATA

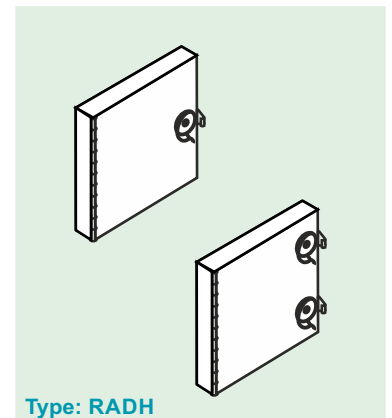
Type: RAD

Item Code	Duct Opening Size WxH (mm)	Normal Size WxH (mm)	Camlock			
			Left	Right	Up	Down
RAD150x100	150x100	200x150	1	1		
RAD150x150	150x150	200x200	1	1		
RAD200x200	200x200	250x250	1	1		
RAD300x300	300x300	350x350	2	2		
RAD450x450	450x450	500x500	2	2	1	1
RAD650x450	650x450	700x500	2	2	1	1



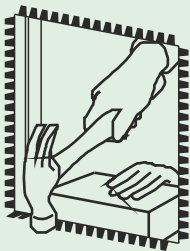
Type: RADH

Item Code	Duct Opening Size WxH (mm)	Normal Size WxH (mm)	Left	Camlock		
				Right	Up	Down
RADH150x100	150x100	200x150	Piano Hinge	1		
RADH150x150	150x150	200x200		1		
RADH200x200	200x200	250x250		1		
RADH300x300	300x300	350x350		2		
RADH450x450	450x450	500x500		2	1	1
RADH650x450	650x450	700x500		2	1	1



Installation Details:

Dovetail Connection will be hemmed to the Duct and Filled with Sealant.



Ordering example:
G RAD 150x150
 Material ————
 Code ————
 Dim: Width x Depth ————

Construction and Airtightness must be suitable for the Duct Pressure Class used.

* Materials Used for Access Doors:

- Galvanized Steel: (Standard) L.F.Q. Complying with ASTM A653 & Having G90 Coating Designation.
- Stainless Steel: (Optional) Complying with ASTM A240M / A480M, Grade 304, 304L, 316 & 316L.



DUCT VENTILATION AIR CONDITIONING Co. (W.L.L.)

Small Industries Zone - Pink Area Zone 81 - Street 13 - Bldg. 57
Tel: +974 44 500 118 - 44 500 119 - Fax: +974 44 500 117 - P.O. Box: 55619
Doha, State Of Qatar - Email: info@dvac-duct.com - Website: www.dvac-duct.com

DVAC Access Doors Catalogue Rev.04
Revised Date: July 2024