



DUCT VENTILATION AIR CONDITIONING Co. (W.L.L.)

Fire Dampers Catalogue



Rectangular, Round & Flat Oval

Curtain Types: A, B, CR & CO

For Use in Static & Dynamic Systems
UL 555 Classified - 3 Hour Rating





DUCT VENTILATION AIR CONDITIONING Co. (W.L.L.)

Table Of Contents

Fire Dampers

	Page
Introduction	3

Static Fire Dampers

Static Fire Damper (Type A)	4
Static Fire Damper (Type B)	5
Static Fire Damper (Type CR)	6
Static Fire Damper (Type CO)	7

Dynamic Fire Dampers

Dynamic Fire Damper (Type A)	8
Dynamic Fire Damper (Type B)	9
Dynamic Fire Damper (Type CR)	10
Dynamic Fire Damper (Type CO)	11

Fire Damper Installation Instructions

Fire Dampers Installation Instructions	12---16
--	----------------

Certificate & Approval

UL Certificate of Compliance	18-19
QCDD Approval	20---21

Tel: +974 44 500 118 - 44 500 119 - Fax: +974 44 500 117 - Doha, State Of Qatar

DVAC Fire Dampers have been investigated by UL Laboratories in Chicago-USA on February 2013 in accordance with UL 555 Standard for Fire Dampers.



UNDERWRITERS LABORATORIES UL 555 STANDARD

The UL 555 Standard for Fire Dampers includes Significant Test Criteria.

Fire Dampers are intended for use where air ducts penetrate or terminate at openings in walls or partitions, in air transfer openings in partitions, and where air ducts extend through floors as specified in the Standard for Installation of Air Conditioning and Ventilating Systems, NFPA 90A.

In a Fire Emergency the Fire Damper is designed to close and prevent the spread of fire from one side of the wall or partition to the other.

Fire Dampers are evaluated for use as either:

a) Fire Dampers for Static Systems -

For HVAC systems that are automatically shut down in the event of a fire.

b) Fire Dampers for Dynamic Systems -

For HVAC systems that are operational in the event of a fire.

c) Combination Fire and Smoke Dampers -

For locations in HVAC systems where a Fire Damper and a Smoke Damper are required at a single location.

• **Operational Reliability**

To ensure operation through 250 cycles for dampers for use without actuators, or 20,000 cycles for dampers with actuators and Cycle Testing following Salt Spray Exposure.

• **Fire Endurance**

For either 1.5 or 3 hrs to determine the hourly classification of the damper assembly.

• **Hose Stream Test**

To verify the damper assembly and associated installation components remain intact during explosive fire conditions.

• **Salt-Spray Exposure**

To simulate the dust and other debris that accumulates on a fire damper mounted in a duct or opening within a building and to investigate the performance of the Fire Damper while subjected to such accumulations.

• **Dynamic Closure**

To verify the damper assembly will close against heated Air Flow velocity of at least 2000 fpm and 4 inches of water. (Not required for Dampers Classified for Static "fans off" Systems).

Test	Section or Standard	Type of Damper		
		Static Fire Damper	Dynamic Fire Damper	Combination Fire and Smoke Damper
1. Fire Endurance & Hose Stream	10	X	X	X
2. Operational Reliability	11	X	X	X
3. Salt-Spray Exposure	12	X	X	X
4. Spring Closing Force	13	X	-	-
5. Dynamic Closure	14	-	X	X
6. Operation	UL555S	-	-	X
7. Leakage	UL555S	-	-	X

x: Test applicable
-: Test not applicable

CURTAIN RECTANGULAR FIRE DAMPER (TYPE A)



- . FOR USE IN STATIC SYSTEMS
- . 3 HOUR RATING
- . UL 555 CLASSIFIED

Description:

The Rectangular Curtain Type Fire Damper provides an efficient solution to separate areas of Fire in Ventilation Systems. The Curtain Type Fire Damper will stop the spread of fire through ducts, walls or floors.

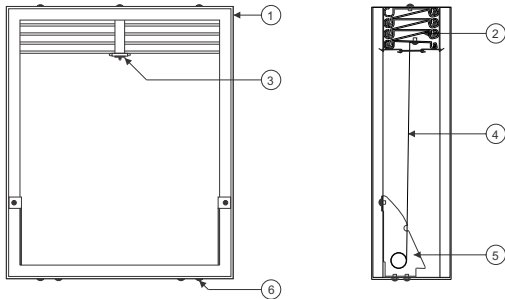
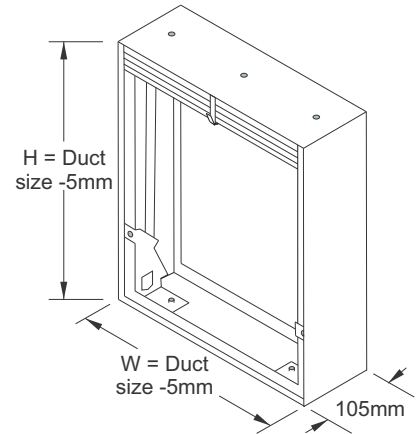
Damper Size (Vertical):

- Min. size: WxH 100x100mm
- Max. size: WxH 900x900mm

Damper Size (Horizontal):

- Min. size: WxH 100x100mm
- Max. size: WxH 900x900mm

- Features:**
- Casing: 20 Gauge (1.0mm) Galvanized Steel
 - Blades: 22 Gauge (0.8mm) Galvanized Steel
 - Spring: 301 Stainless Steel Closure Spring
 - Fusible Link: 165°F (74°C) is Standard



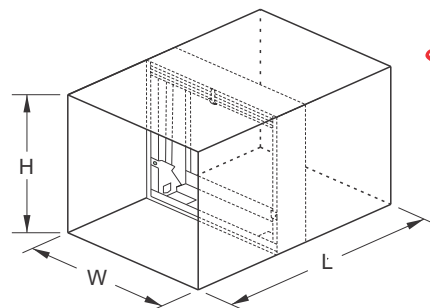
- ① Casing
- ② Interlocking Curtain Blades
- ③ UL Listed Fusible Link
- ④ Closure Spring
- ⑤ Catch Plate
- ⑥ Steel Rivet

Ordering example:
CRFD A S S 300x150
 Code _____
 Type _____
 Static _____
 Sleeve _____
 Dim. Width x Height _____

Fire Damper Sleeve:

DVAC Integral Fire Dampers Sleeve ensure proper damper mounting in sleeve and can be delivered to job site for immediate installation.

Note: Sleeves can be field fabricated.



Installation:

Please refer to Fire Damper installation instructions (Page 12---16).

Type 'A': Blades and Frame in the airstream
 Min. size: WxH 100x100mm
 Max. size: WxH 900x900mm

CURTAIN RECTANGULAR FIRE DAMPER (TYPE B)



- . FOR USE IN STATIC SYSTEMS
- . 3 HOUR RATING
- . UL 555 CLASSIFIED

Description:

The Rectangular Curtain Type Fire Damper provides an efficient solution to separate areas of Fire in Ventilation Systems. The Curtain Type Fire Damper will stop the spread of fire through ducts, walls or floors.

Damper Size (Vertical):

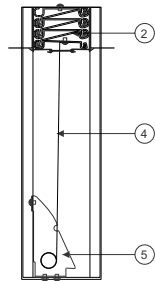
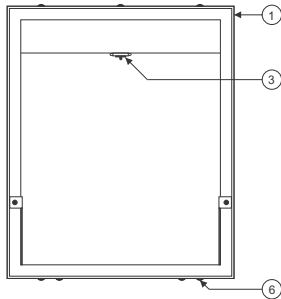
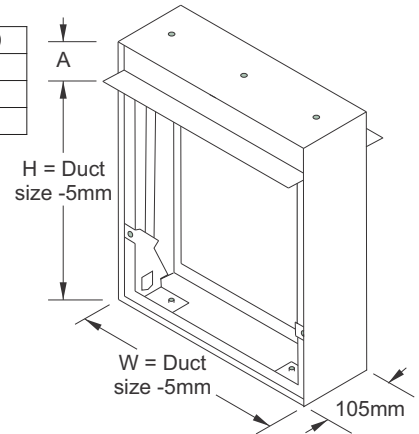
- Min. size: WxH 100x100mm
- Max. size: WxH 900x800mm

Damper Size (Horizontal):

- Min. size: WxH 100x100mm
- Max. size: WxH 900x800mm

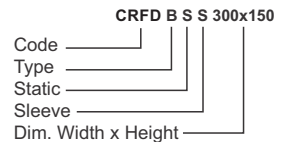
- Features:**
- Casing: 20 Gauge (1.0mm) Galvanized Steel
 - Blades: 22 Gauge (0.8mm) Galvanized Steel
 - Spring: 301 Stainless Steel Closure Spring
 - Fusible Link: 165°F (74°C) is Standard

Damper Height (H)	Dim. (A)
100 thru 400mm	50mm
410 thru 650mm	75mm
660 thru 800mm	100mm



- ① Casing
- ② Interlocking Curtain Blades
- ③ UL Listed Fusible Link
- ④ Closure Spring
- ⑤ Catch Plate
- ⑥ Steel Rivet

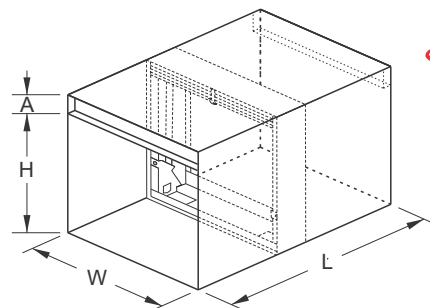
Ordering example:



Fire Damper Sleeve:

DVAC Integral Fire Dampers Sleeve ensure proper damper mounting in sleeve and can be delivered to job site for immediate installation.

Note: Sleeves can be field fabricated.



Installation:

Please refer to Fire Damper installation instructions (Page 12---16).

Type 'B': Blades partially out of airstream
 Min. size: WxH 100x150mm
 Max. size: WxH 900x900mm

CURTAIN ROUND FIRE DAMPER (TYPE CR)

- FOR USE IN STATIC SYSTEMS
- 3 HOUR RATING
- UL 555 CLASSIFIED



Description:

The Round Curtain Type Fire Damper provides an efficient solution to separate areas of Fire in Ventilation Systems. The Curtain Type Fire Damper will stop the spread of fire through ducts, walls or floors.

Damper Size (Vertical):

- Min. size: WxH 150mm Diameter
- Max. size: WxH 750mm Diameter

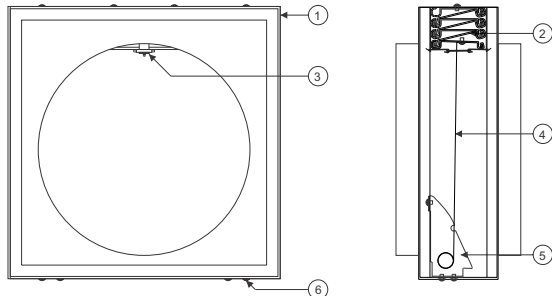
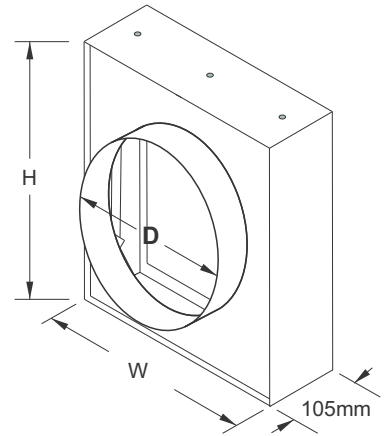
Damper Size (Horizontal):

- Min. size: WxH 150mm Diameter
- Max. size: WxH 750mm Diameter

Diameter (D)	Height (H)	Width (W)
150 thru 400mm	+75mm	+50mm
410 thru 550mm	+125mm	+50mm
560 thru 750mm	+150mm	+50mm

Diameter (D)	Collar
150 thru 400mm	22 Gauge
410 thru 750mm	20 Gauge

- Features:**
- Casing: 20 Gauge (1.0mm) Galvanized Steel
 - Blades: 22 Gauge (0.8mm) Galvanized Steel
 - Spring: 301 Stainless Steel Closure Spring
 - Fusible Link: 165°F (74°C) is Standard



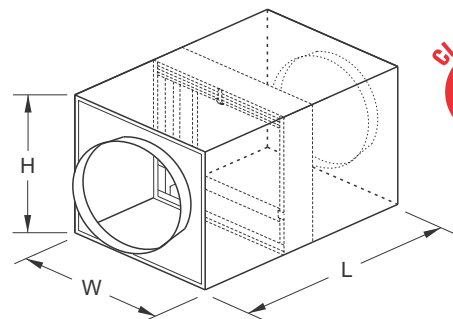
- ① Casing
- ② Interlocking Curtain Blades
- ③ UL Listed Fusible Link
- ④ Closure Spring
- ⑤ Catch Plate
- ⑥ Steel Rivet

Ordering example:
CRFD CR S S 300
 Code _____
 Type _____
 Static _____
 Sleeve _____
 D = Diameter _____

Fire Damper Sleeve:

DVAC Integral Fire Dampers Sleeve ensure proper damper mounting in sleeve and can be delivered to job site for immediate installation.

Note: Sleeves can be field fabricated.



Installation:

Please refer to Fire Damper installation instructions (Page 12---16).

Type 'CR': Blades partially in airstream
 Min. size: WxH 250x250mm
 Max. Size: WxH 900x900mm

CURTAIN FLAT OVAL FIRE DAMPER (TYPE CO)



- FOR USE IN STATIC SYSTEMS
- 3 HOUR RATING
- UL 555 CLASSIFIED

Description:

The Flat Oval Curtain Type Fire Damper provides an efficient solution to separate areas of Fire in Ventilation Systems. The Curtain Type Fire Damper will stop the spread of fire through ducts, walls or floors.

Damper Size (Vertical):

- Min. size: WxH 150mm Minor or Major Axis
- Max. size: WxH 750mm Minor or Major Axis

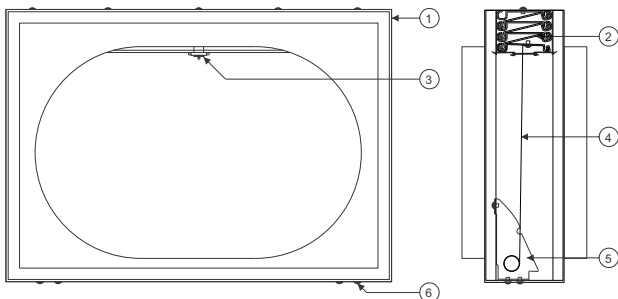
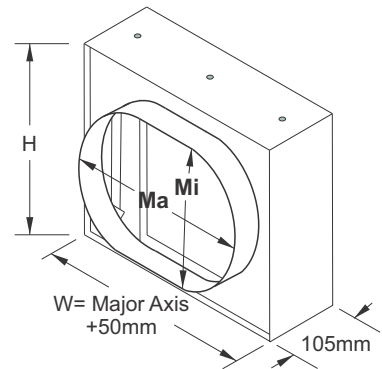
Damper Size (Horizontal):

- Min. size: WxH 150mm Minor or Major Axis
- Max. size: WxH 750mm Minor or Major Axis

- Features:**
- Casing: 20 Gauge (1.0mm) Galvanized Steel
 - Blades: 22 Gauge (0.8mm) Galvanized Steel
 - Spring: 301 Stainless Steel Closure Spring
 - Fusible Link: 165°F (74°C) is Standard

Minor Axis (Mi)	Height (H)
150 thru 400mm	+75mm
410 thru 550mm	+125mm
560 thru 750mm	+150mm

Diameter (D)	Collar Thickness
150 thru 400mm	22 Gauge (0.8mm)
410 thru 750mm	20 Gauge (1.0mm)



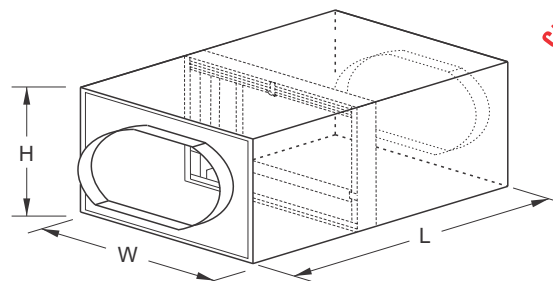
- ① Casing
- ② Interlocking Curtain Blades
- ③ UL Listed Fusible Link
- ④ Closure Spring
- ⑤ Catch Plate
- ⑥ Steel Rivet

Ordering example:
CFOFD CO S S 300
 Code _____
 Type _____
 Static _____
 Sleeve _____
 D = Diameter _____

Fire Damper Sleeve:

DVAC Integral Fire Dampers Sleeve ensure proper damper mounting in sleeve and can be delivered to job site for immediate installation.

Note: Sleeves can be field fabricated.



Installation:

Please refer to Fire Damper installation instructions (Page 12---16).

Type 'CO': Blades partially in airstream
 Min. size: WxH 350x250mm
 Max. size: WxH 900x800mm

CURTAIN RECTANGULAR FIRE DAMPER (TYPE A)



- FOR USE IN DYNAMIC SYSTEMS
- 3 HOUR RATING
- UL 555 CLASSIFIED

Description:

The Rectangular Curtain Type Fire Damper provides an efficient solution to separate areas of Fire in Ventilation Systems. The Curtain Type Fire Damper will stop the spread of fire through ducts, walls or floors.

There is a wide choice of sizes available for Low, Medium and High Velocity applications.

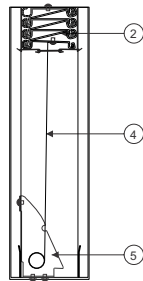
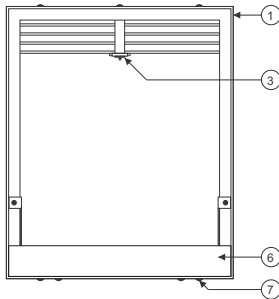
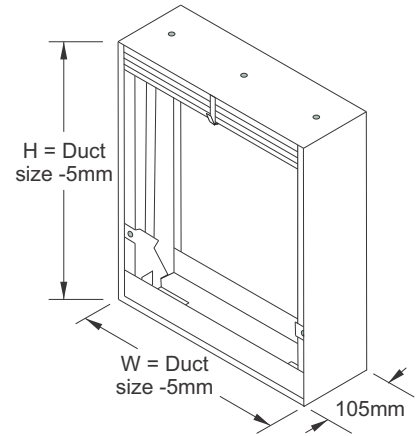
- Ratings:**
- Pressure: Up to 4" w.g. (Up to 1000 Pa)
 - Velocity: Up to 2000 fpm (Up to 10.16 m/s)

Damper Size (Vertical):

- Min. size: WxH 100x150mm
- Max. size: WxH 900x900mm

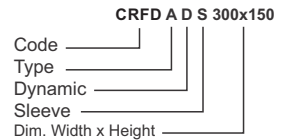
Features:

- Casing: 20 Gauge (1.0mm) Galvanized Steel
- Blades: 22 Gauge (0.8mm) Galvanized Steel
- Spring: 301 Stainless Steel Closure Spring
- Fusible Link: 165°F (74°C) is Standard



- ① Casing
- ② Interlocking Curtain Blades
- ③ UL Listed Fusible Link
- ④ Closure Spring
- ⑤ Catch Plate
- ⑥ 50mm, 18 Gauge (1.2mm) GI Flat
- ⑦ Steel Rivet

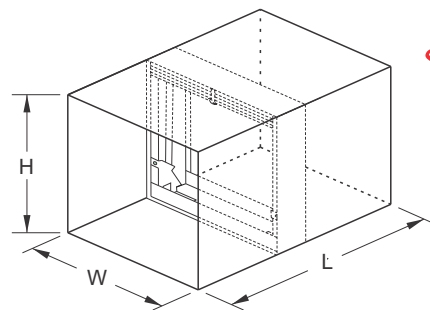
Ordering example:



Fire Damper Sleeve:

DVAC Integral Fire Dampers Sleeve ensure proper damper mounting in sleeve and can be delivered to job site for immediate installation.

Note: Sleeves can be field fabricated.



Installation:

Please refer to Fire Damper installation instructions (Page 12---16).

Type 'A': Blades and frame in the airstream
 Min. size: WxH 100x150mm
 Max. Size: WxH 900x900mm

CURTAIN RECTANGULAR FIRE DAMPER (TYPE B)



- . FOR USE IN DYNAMIC SYSTEMS
- . 3 HOUR RATING
- . UL 555 CLASSIFIED

Description:

The Rectangular Curtain Type Fire Damper provides an efficient solution to separate areas of Fire in Ventilation Systems. The Curtain Type Fire Damper will stop the spread of fire through ducts, walls or floors.

There is a wide choice of sizes available for Low, Medium and High Velocity applications.

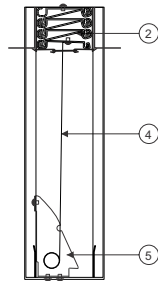
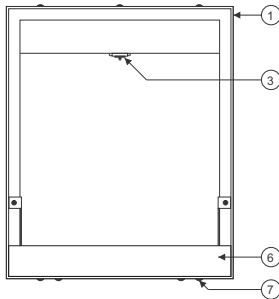
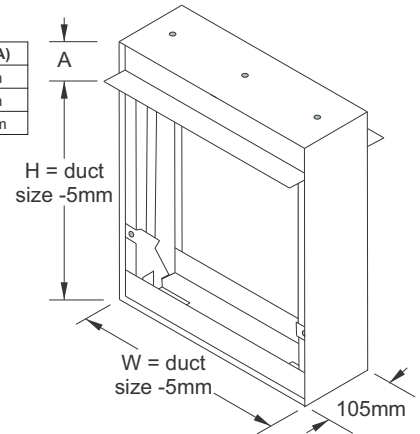
- Ratings:**
- Pressure: Up to 4" w.g. (Up to 1000 Pa)
 - Velocity: Up to 2000 fpm (Up to 10.16 m/s)

Damper Size (Vertical):

- Min. size: WxH 100x100mm
- Max. size: WxH 900x800mm

- Features:**
- Casing: 20 Gauge (1.0mm) Galvanized Steel
 - Blades: 22 Gauge (0.8mm) Galvanized Steel
 - Spring: 301 Stainless Steel Closure Spring
 - Fusible Link: 165°F (74°C) is Standard

Damper Height (H)	Dim. (A)
100 thru 400mm	50mm
410 thru 650mm	75mm
660 thru 800mm	100mm



- ① Casing
- ② Interlocking Curtain Blades
- ③ UL Listed Fusible Link
- ④ Closure Spring
- ⑤ Catch Plate
- ⑥ 50mm, 18 Gauge (1.2mm) GI Flat
- ⑦ Steel Rivet

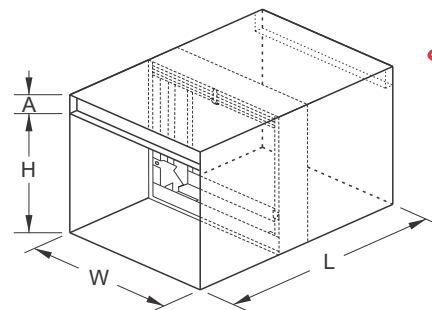
Ordering example:
CRFD B D S 300x150

Code _____
Type _____
Dynamic _____
Sleeve _____
Dim. Width x Height _____

Fire Damper Sleeve:

DVAC Integral Fire Dampers Sleeve ensure proper damper mounting in sleeve and can be delivered to job site for immediate installation.

Note: Sleeves can be field fabricated.



Installation:

Please refer to Fire Damper installation instructions (Page 12---16).

Type 'B': Blades partially in airstream
Min. size: WxH 100x150mm
Max. size: WxH 900x900mm

CURTAIN ROUND FIRE DAMPER (TYPE CR)



- FOR USE IN DYNAMIC SYSTEMS
- 3 HOUR RATING
- UL 555 CLASSIFIED

Description:

The Round Curtain Type Fire Damper provides an efficient solution to separate areas of Fire in Ventilation Systems. The Curtain Type Fire Damper will stop the spread of fire through ducts, walls or floors.

There is a wide choice of sizes available for Low, Medium and High Velocity applications.

- Ratings:**
- Pressure: Up to 4" w.g. (Up to 1000Pa)
 - Velocity: Up to 2000 fpm (Up to 10.16m/s)

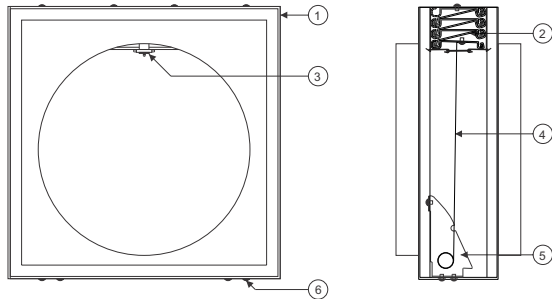
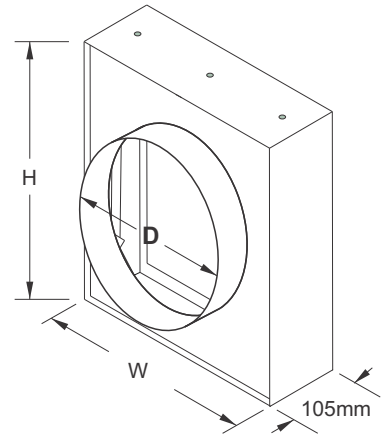
Damper Size (Vertical):

- Min. size: 150mm Diameter
- Max. size: 750mm Diameter

- Features:**
- Casing: 20 Gauge (1.0mm) Galvanized Steel
 - Blades: 22 Gauge (0.8mm) Galvanized Steel
 - Spring: 301 Stainless Steel Closure Spring
 - Fusible Link: 165°F (74°C) is Standard

Diameter (D)	Height (H)	Width (W)
150 thru 400mm	+75mm	+50mm
410 thru 550mm	+125mm	+50mm
560 thru 750mm	+150mm	+50mm

Diameter (D)	Collar Thickness
150 thru 400mm	22 Gauge (0.8mm)
410 thru 750mm	20 Gauge (1.0mm)



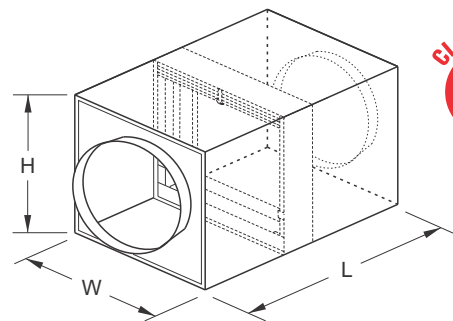
- ① Casing
- ② Interlocking Curtain Blades
- ③ UL Listed Fusible Link
- ④ Closure Spring
- ⑤ Catch Plate
- ⑥ Steel Rivet

Ordering example:
CRFD CR D S 300
 Code _____
 Type _____
 Dynamic _____
 Sleeve _____
 D = Diameter _____

Fire Damper Sleeve:

DVAC Integral Fire Dampers Sleeve ensure proper damper mounting in sleeve and can be delivered to job site for immediate installation.

Note: Sleeves can be field fabricated.



Installation:

Please refer to Fire Damper installation instructions (Page 12---16).

Type 'CR': Blades partially in airstream
 Min. size: WxH 250x250mm
 Max. Size: WxH 900x900mm

CURTAIN FLAT OVAL FIRE DAMPER (TYPE CO)

- FOR USE IN DYNAMIC SYSTEMS
- 3 HOUR RATING
- UL 555 CLASSIFIED



Description:

The Flat Oval Curtain Type Fire Damper provides an efficient solution to separate areas of Fire in Ventilation Systems. The Curtain Type Fire Damper will stop the spread of fire through ducts, walls or floors.

There is a wide choice of sizes available for Low, Medium and High Velocity applications.

- Ratings:**
- Pressure: Up to 4" w.g. (Up to 1000 Pa)
 - Velocity: Up to 2000 fpm (Up to 10.16 m/s)

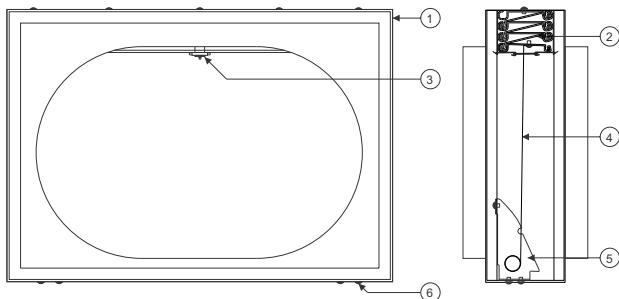
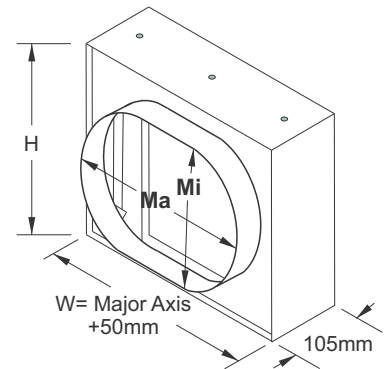
Damper Size (Vertical):

- Min. size: 150mm Minor or Major Axis
- Max. size: 750mm Minor or Major Axis

- Features:**
- Casing: 20 Gauge (1.0mm) Galvanized Steel
 - Blades: 22 Gauge (0.8mm) Galvanized Steel
 - Spring: 301 Stainless Steel Closure Spring
 - Fusible Link: 165°F (74°C) is Standard

Minor Axis (Mi)	Height (H)
150 thru 400mm	+75mm
410 thru 550mm	+125mm
560 thru 750mm	+150mm

Diameter (D)	Collar Thickness
150 thru 400mm	22 Gauge (0.8mm)
410 thru 750mm	20 Gauge (1.0mm)



- ① Casing
- ② Interlocking Curtain Blades
- ③ UL Listed Fusible Link
- ④ Closure Spring
- ⑤ Catch Plate
- ⑥ Steel Rivet

Ordering example:

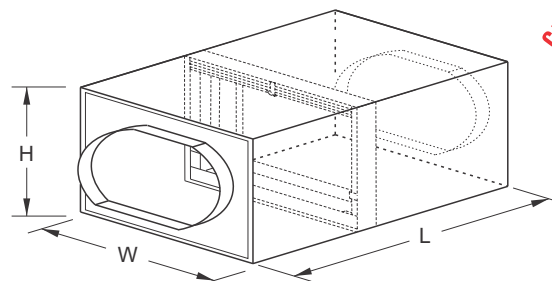
CFOFD CO D S 300

Code _____
 Type _____
 Dynamic _____
 Sleeve _____
 D = Diameter _____

Fire Damper Sleeve:

DVAC Integral Fire Dampers Sleeve ensure proper damper mounting in sleeve and can be delivered to job site for immediate installation.

Note: Sleeves can be field fabricated.



Installation:

Please refer to Fire Damper installation instructions (Page 12---16).

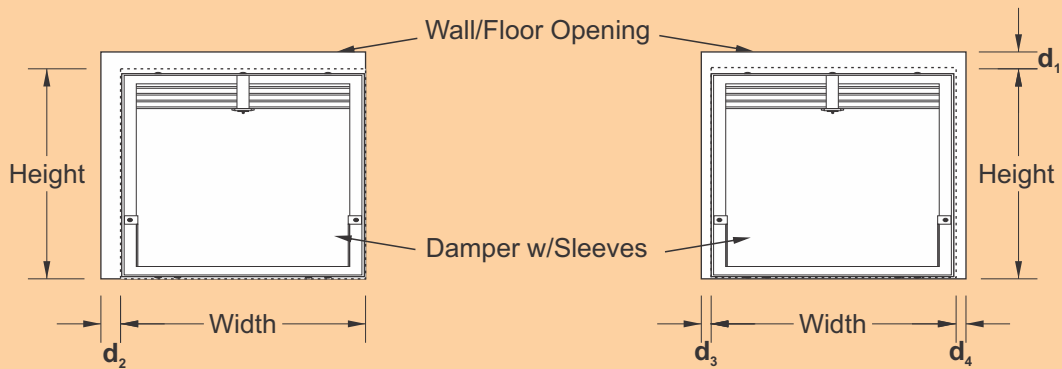
Type 'CO': Blades partially in airstream
 Min. size: WxH 350x250mm
 Max. size: WxH 900x800mm

INSTALLATION INSTRUCTIONS

Section 1: - Wall/Floor Opening and Clearance Required

The Opening in wall or floor shall be larger than the Fire Damper Sleeve, due to the expansion during periods of intense heat.

- Minimum clearance required is 10mm per linear meter for Damper Width & Height.
- Sleeve may rest on bottom of the opening.



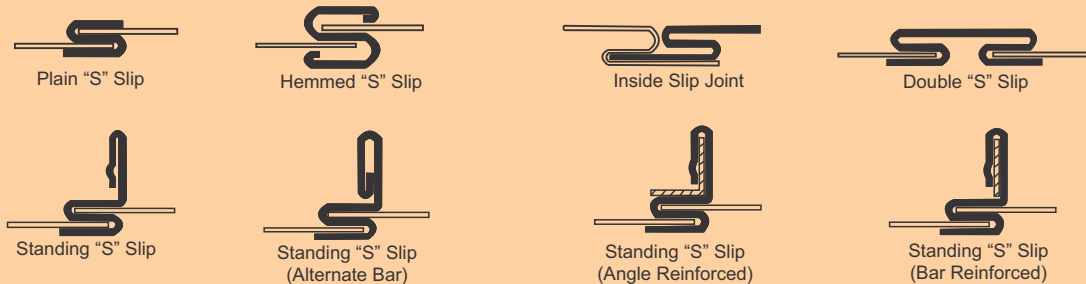
$$d_1 = 10\text{mm} * (\text{Height}/1000\text{mm})$$

$$d_2 = 10\text{mm} * (\text{Width}/1000\text{mm})$$

Where: $d_2 = d_3 + d_4$

Section 2: - Duct sleeve connections listed in UL 555, Sixth Edition, *Standard for Fire Dampers*

a) Breakaway Joints



The breakaway connections shown in fig. above can be applied with maximum 2 # 10 sheet metal screws on each side and on the bottom located in the center of the slip pocket and penetrating both sides of the slip pocket.

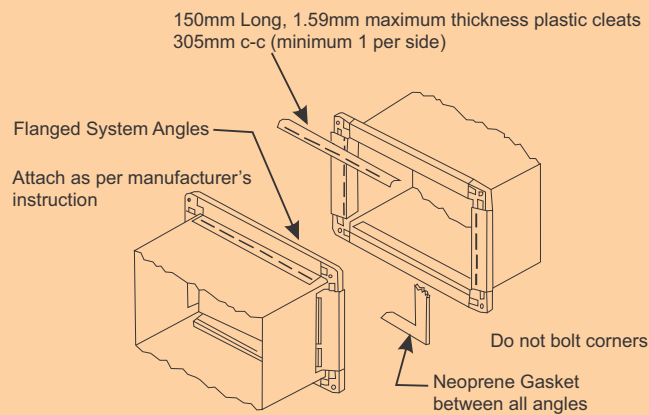
Transverse joints illustrated can be applied as top and bottom joints with Drive Slip - side joints in duct heights up to 500mm.



INSTALLATION INSTRUCTIONS

b) Slip-on Flange System:

UL tested Slip-on Flange System are approved as breakaway connection when installed, as shown below:



Section 3: - Sleeve Thickness & Length

All Fire Dampers must be installed in a sleeve of the required gauge and length. It could be factory Installed or field fabricated.

- Sleeve shall extend a maximum of 150mm from the wall or floor opening from each side.
- Sleeve may extend with a maximum length of 400mm from wall or floor (if a factory installed access door is required).

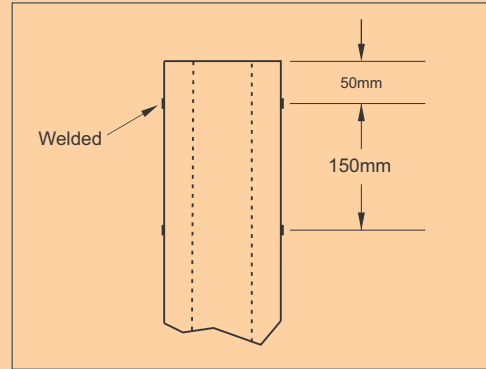
Type of Connection	Duct Dimension	Sleeve Thickness
Rigid or Breakaway	All Duct sizes	2.0mm
Rigid or Breakaway	Max. width 900mm	1.5mm
	Up to 4.0 m ²	
Breakaway Only	Up to 300mm	0.55mm
	301 to 750mm	0.7mm
	751 to 1350mm	0.85mm
	1351 to 2100mm	1.0mm
	2101mm and Up	1.2mm

N.B.: Any Duct connection other than breakaway is considered rigid.

INSTALLATION INSTRUCTIONS

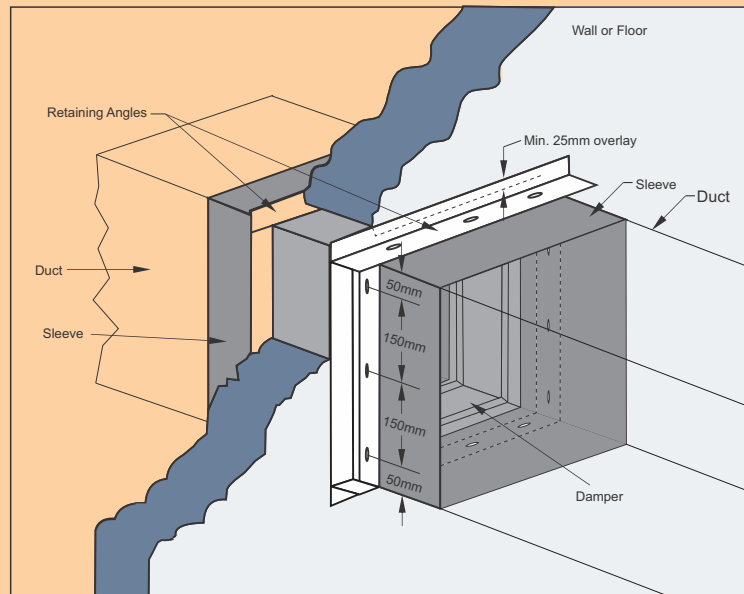
Section 4: - Damper-Sleeve Attachment

All four sides of the damper frame must be attached to the sleeve with one row of attachments on each side of the blade channel. Attachment must be spaced a maximum of 150mm on centers and a max of 50mm from corners and minimum of 4 attachments per side with a total of 16. Secure damper to sleeve with 12mm long welds.



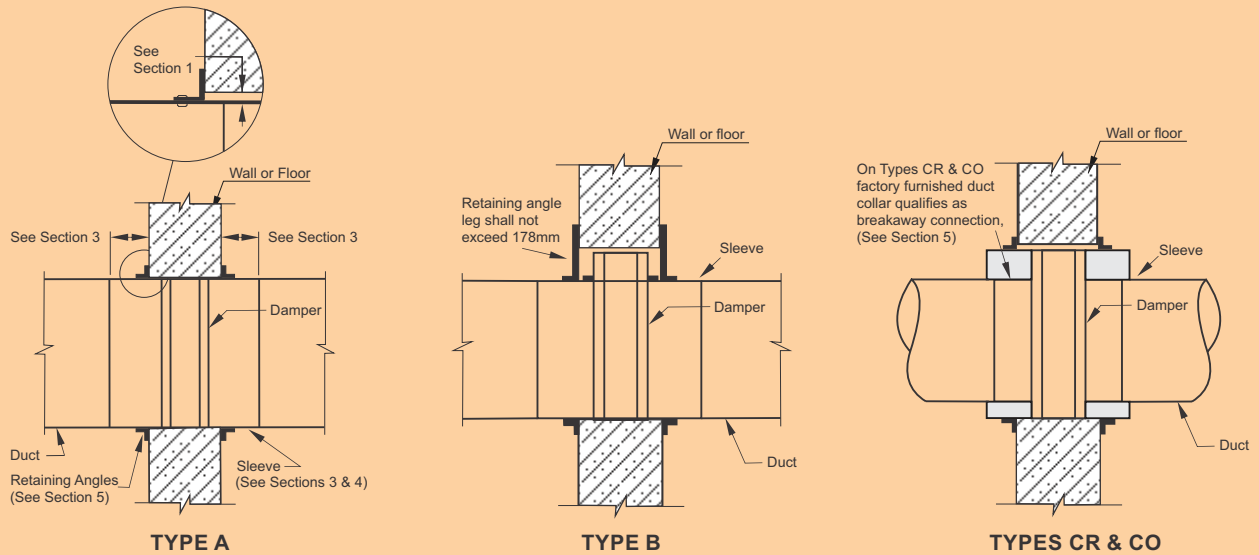
Section 5: - Securing the Fire Damper Sleeve to the Opening

- Centerline of the Fire Damper blade should be positioned within the confines of the wall or floor opening.
- Fire Damper and Sleeve assembly must be installed in opening using retaining angles on each side of the wall or floor.
- Retaining Angles thickness should be 1.5mm minimum
- Retaining Angles should be secured to the damper sleeve **ONLY**.
- Retaining Angles should cover the gap +25mm overlap with the wall
- Retaining Angles should be attached to 4 (four) sides of the damper sleeve using 6mm bolts & nuts methods with a maximum spacing of 50mm from corners and 150mm on center.



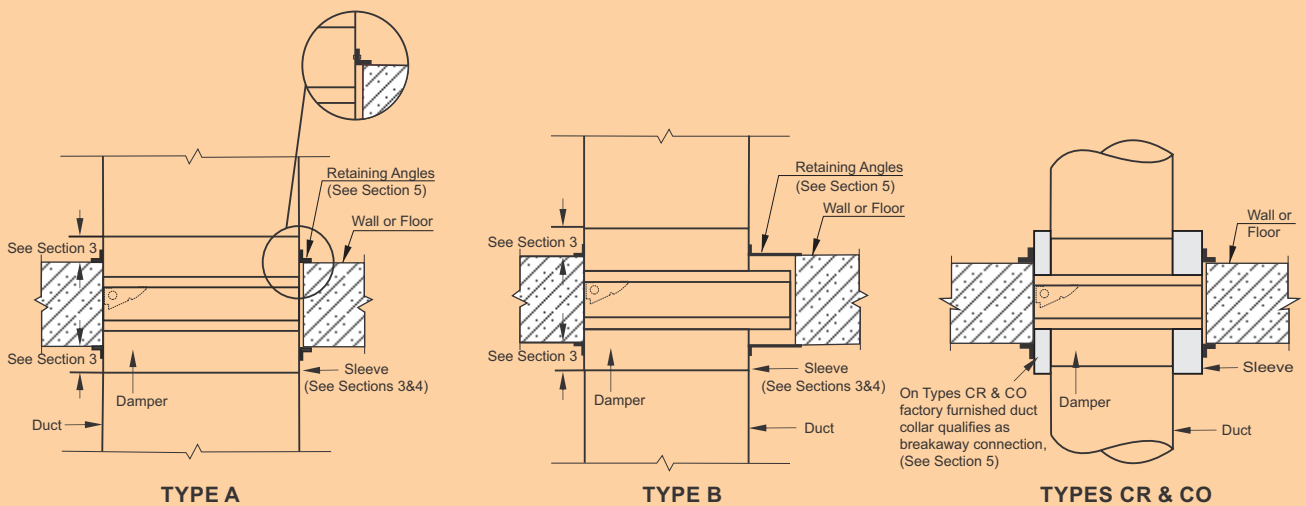
INSTALLATION INSTRUCTIONS

VERTICAL mount without factory mounted sleeve



Note: When Dampers are installed vertically, the blade stack must be on the top.

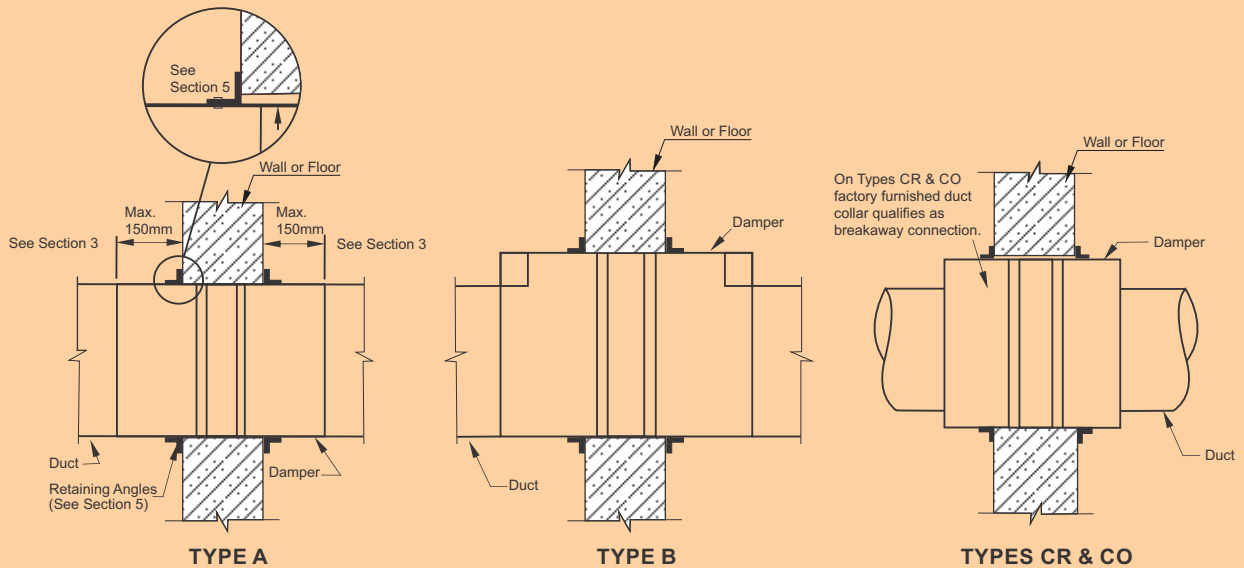
HORIZONTAL mount without factory mounted sleeve



Note: When Dampers are installed horizontally, the ramp must be positioned up, as shown in above drawings.

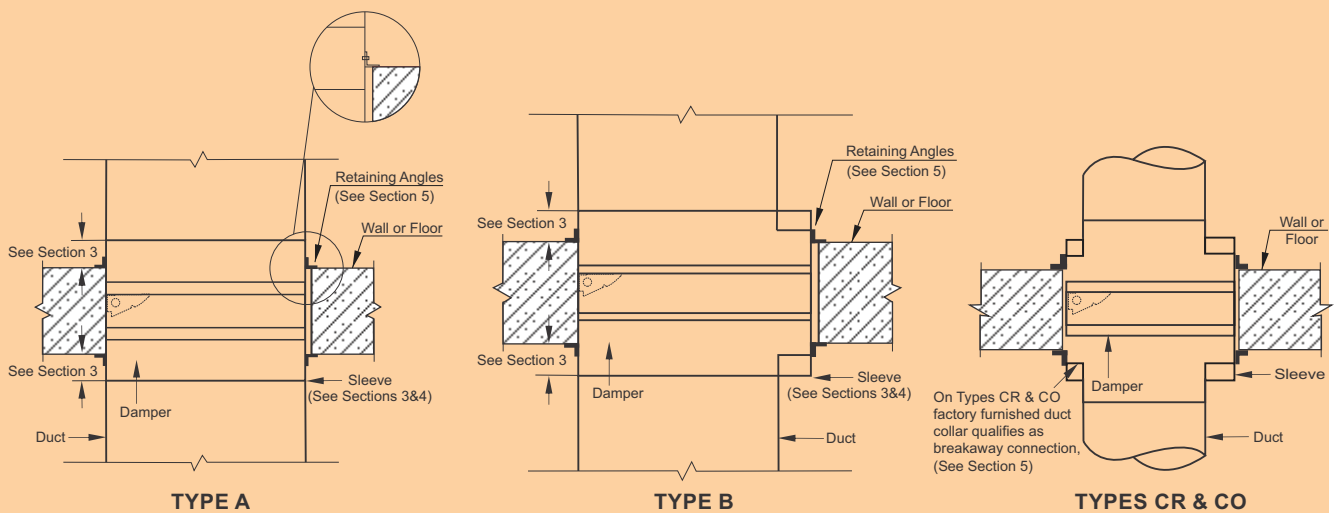
INSTALLATION INSTRUCTIONS

VERTICAL mount with factory mounted sleeve



Note: When Dampers are installed vertically, the blade stack must be on the top.

HORIZONTAL mount with factory mounted sleeve



Note: When Dampers are installed horizontally, the ramp must be positioned up, as shown in above drawings.



Rectangular, Round & Flat Oval

Curtain Types: A, B, CR & CO

For Use in Static & Dynamic Systems
UL 555 Classified - 3 Hour Rating



CERTIFICATE OF COMPLIANCE

Certificate Number 20131204-R26828
Report Reference R26828-20131129
Issue Date 2013-DECEMBER-04

Issued to: DUCT VENTILATION AIR CONDITIONING CO W L L
SMALL INDUSTRIES ZONE-PINK AREA
ZONE 81 STREET 13 BLDG.57
DOHA 55619 QATAR

This is to certify that representative samples of DAMPERS FOR FIRE BARRIER AND SMOKE APPLICATIONS
"See Addendum Page"

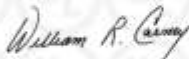
Have been investigated by UL in accordance with the Standard(s) indicated on this Certificate.

Standard(s) for Safety: UL 555 - Standard for Fire Dampers
Additional Information: See the UL Online Certifications Directory at www.ul.com/database for additional information

Only those products bearing the UL Classification Mark should be considered as being covered by UL's Classification and Follow-Up Service.

The UL Classification Mark includes :UL in a circle: with the word "CLASSIFIED" (as shown); a control number (may be alphanumeric) assigned by UL; a statement to indicate the extent of UL's evaluation of the product; and the product category name (product identity) as indicated in the appropriate UL Directory.

Look for the UL Classification Mark on the product.



William R. Carrey, Director, North American Certification Programs
UL LLC

Any information and documentation involving UL Mark services are provided on behalf of UL LLC (UL) or any authorized licensee of UL. For questions, please contact a local UL Customer Service Representative at www.ul.com/contact





DUCT VENTILATION AIR CONDITIONING Co. (W.L.L.)

Fire Dampers

UL Certificate of Compliance
Dec. 2013 - Chicago - USA

Tel: +974 44 500 118 - 44 500 119 - Fax: +974 44 500 117 - Doha, State Of Qatar

CERTIFICATE OF COMPLIANCE

Certificate Number	20131204-R26828
Report Reference	R26828-20131129
Issue Date	2013-DECEMBER-04

This is to certify that representative samples of the product as specified on this certificate were tested according to the current UL requirements.

Models :

Fire damper ,Models CRFD-Type A ,CRFD-Type B ,CRFD-Type CR and CFOFD-Type CO curtain type ,for vertical mounting intended for use in static and dynamic applications .

Fire damper ,Models CRFD-Type A ,CRFD-Type B ,CRFD-Type CR and CFOFD-Type CO curtain type ,for horizontal mounting intended for use in static applications.

William R. Carney Director, North American Certification Programs
UL LLC

Any information and documentation involving UL Mark services are provided on behalf of UL LLC (UL) or any authorized licensee of UL. For questions please contact a local UL Customer Service Representative at www.ul.com/contact



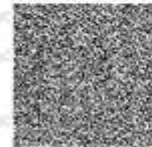
2022-12-26 - تاريخ الشهادة	وزارة الداخلية Ministry of Interior بنا محمد - قطر - دولة قطر	وزارة الداخلية الإدارة العامة للدفاع المدني إدارة الوقاية
AM 7:10 - وقت الشهادة		
PAC22014045 - رقم الطلب		
شهادة عدم معارضة		
		نوع الشهادة : اعتماد منتج
		بيانات المنشأة
شركة دقات فاكت للتهوية والتكييف		الإسم التجاري
رقم الرخصة التجارية : 104438	رقم التسجيل التجاري : 31177	رقم قيد المنشأة : 12-1845-00
رقم الشايف :	الجريد الإلكتروني :	التصنيف :
Smoke and Heat Control Ventilation Systems :	إسم المنتج :	لتفاصيل المشاهدة
Fire/Smoke Dampers/Relief Vents & Components :		
تم مراجعة الطلب المقدم واتضح بأنه لا يحتاج من اعتماد المنتج: المنتجات الموضحة في التقرير الفني المرفق بقاء. على اعتمادها من قبل الهيئة المختصة الموضحة في تقرير الفني المرفق.		
ملاحظات		
1- يجب على الشركة الالتزام والعمل بما جاء في اشتراطات قسم أنظمة الملاحة التي تم الاطلاع والموافقة عليها من خلال المنتج.		
2- يجب ان يقوم بتركيب هذا المنتج من قبل مهندسين وفنيين معتمدين عن الإدارة العامة للدفاع المدني.		
3- يجب ان يعمل المنتج اعطامة التجارية للهيئة المخبرية المعتمدة والموضحة في التقرير الفني المرفق.		
2024-12-24 : تاريخ الانتهاء	2022-12-25 : تاريخ الاعتماد	
 مدير إدارة الوقاية الإدارة العامة للدفاع المدني		
Page 1 of 3		

التقرير الفني	
DATE : 2022-12-26 : التاريخ	الإدارة العامة للمطبخ المعدني
PERMIT # PAC22014045 : رقم الطلب	وزارة الداخلية Ministry of Interior مملكة قطر - دoha
TECHNICAL REPORT	
PRODUCT	Fire/Smoke Dampers/Relief Vents & Components
PRODUCT APPLICATION	Smoke and Heat Control Ventilation Systems
APPLICANT / P.O BOX	شركة دفاك دكتور التبريد والتكييف
MANUFACTURER / LOCATION	DUCT VENTILATION AIR CONDITIONING CO. W.L.L / QATAR
الوصف	
Fire Dampers for Use in Static Systems, 3 Hr class, 36x36 inch size, horizontal/vertical installation	CRFD-Type B
Fire Dampers for Use in Dynamic Systems, Dampers rated 2000 fpm/4.0 in. WC, 3 Hr class, 36x36 inch size, horizontal/vertical installation	
Fire Dampers for Use in Static Systems, 3 Hr class, Round damper, Diameter 29.5 inch size, horizontal/vertical installation	CFOFD-Type CD
Fire Dampers for Use in Dynamic Systems, Dampers rated 2000 fpm/4.0 in. WC, 3 Hr class, Round damper, Diameter 6.9x29.5 (in x max) inch size, vertical installation.	
Fire Dampers for Use in Static Systems, 3 Hr class, Round damper, Diameter 29.5 inch size, horizontal/vertical installation	CRFD-Type CR
Fire Dampers for Use in Dynamic Systems, Dampers rated 2000 fpm/4.0 in. WC, 3 Hr class, Round damper, Diameter 6.9x29.5 (min x max) inch size, vertical installation.	
Fire Dampers for Use in Static Systems, 3 Hr class, 36x36 inch size, horizontal/vertical installation	CRFD-Type A
Fire Dampers for Use in Dynamic Systems, Dampers rated 2000 fpm/4.0 in. WC, 3 Hr class, 36x36 inch size, vertical installation	
3RD PARTY CERTIFICATE / APPROVAL	EMF# - 420628 Underwriters Laboratories (USA) شهادة المختبرات المتعددة من منتجات معتمدة
RECOMMENDATIONS	التوصيات
<p>UL CCC # 20131204-R26828 Report Reference # R26828 20131129 INVESTIGATED TO STANDARD UL 555</p>	
<p>مدير إدارة التبريد والتكييف الإدارة العامة للمطبخ المعدني</p>	
	

This product approval shall comply with the Design, Inspection, Installation, Testing and Maintenance requirements of NFPA 92/90A/IMC/70 (and/or other related NFPA Codes / Standards), other acceptable International Codes / Standards, Local Regulations and/or Manufacturer's Published Instructions subject to the technical review and approval of the Authority Having Jurisdiction (Qatar Civil Defense).




مدير إدارة الوزارة
الإدارة العامة للدفاع المدني





DUCT VENTILATION AIR CONDITIONING Co. (W.L.L.)

Fire Dampers

Tel: +974 44 500 118 - 44 500 119 - Fax: +974 44 500 117 - Doha, State Of Qatar

Remarks: _____

